

# SMART Board™ Interactive Whiteboard

## Specifications – Model 660

### Physical Specifications

<b>Size</b>	Interactive Whiteboard	54 3/4" W × 41 1/2" H × 5 1/8" D (139.1 cm × 105.4 cm × 13.0 cm)
	Active Screen Area	51 1/4" W × 38 3/8" H (130.2 cm × 97.5 cm) 64" diagonal (162.6 cm)
	FS670 Floor Stand (with SB660 installed)	54 3/4" W × 63 7/8" to 80 1/4" H × 40 1/4" D (139.1 cm × 162.2 cm to 203.8 cm × 102.2 cm)
<b>Weight</b>	Interactive Whiteboard	21 lb. 14 oz. (9.9 kg)
<b>Shipping Size</b>	Carton	72" W × 46 1/4" H × 5 1/2" D (182.9 cm × 117.5 cm × 14.0 cm)
<b>Shipping Weight</b>	Carton and Contents	36 lb. 8 oz. (16.6 kg)

All dimensions +/- 1/8" (3.2 mm). All weights +/- 2 lb. (0.9 kg).

### Standard Features

<b>Software</b>	SMART Board software, including Notebook™ software. Free software upgrades are available at <a href="http://www.smarttech.com/support/software/index.asp">www.smarttech.com/support/software/index.asp</a> .
<b>Pen Tray</b>	Optical sensors in the pen tray detect when a pen or eraser is lifted from the tray. LEDs show the active tool.
<b>Pens and Eraser</b>	Black, blue, red and green Whisper-tip™ pens and a rectangular eraser
<b>Resolution</b>	Touch resolution is approximately 4000 × 4000
<b>Screen Surface</b>	The hard-coated polyester surface is tear proof, optimized for projection, compatible with dry-erase markers and is easily cleaned with whiteboard cleaner
<b>Digitizing Technology</b>	Analog resistive
<b>Frame Finish</b>	Two-tone gray (approximates Pantone® gray 18-0601) and Ultrasonic Chrome (approximates metallic Pantone 877c)
<b>Wall-Mount Bracket</b>	Supports the interactive whiteboard when mounted to a wall
<b>Computer Connection</b>	16' (4.9 m) USB 2.0 cable
<b>Power Requirements</b>	Power is obtained from the computer directly through the USB cable for both Windows® and Macintosh computers. Power consumption is less than 1.5 watts (300 mA at 5V).
<b>Certifications</b>	CSA (Canada/U.S.), CE, CB (TUV)
<b>Warranty</b>	Five-year limited equipment warranty upon registration

**NOTE:** A digital projector is *not* included with these models of SMART Board interactive whiteboards. To take advantage of all interactive features, you must integrate a digital projector.

### Computer Requirements

<b>Windows Operating Systems</b>	Pentium® 150 MHz processor (450 MHz or faster recommended) 128 MB of RAM (256 MB recommended) Available powered USB or serial port Approximately 160 MB of free hard disk space for full installation Windows NT® 4.0 (SP6), Windows 98 operating system or later Microsoft Internet Explorer 6.0 or later Macromedia® Flash® player version 7.0.19 or later (recommended)
<b>Requirements for SMART Video Player</b>	Pentium 450 MHz processor (700 MHz or faster recommended) Windows 98 operating system or later. Does not run on the Windows NT operating system. Microsoft DirectX® 8.1 End-User Runtime or later
<b>Macintosh Computers</b>	400 MHz processor (800 MHz or faster recommended) 128 MB of RAM (256 MB recommended) Mac OS X version 10.1.5 or later (with Java™ version 1.3.1 update 1 or later) 50 MB of free hard disk space for minimum installation, 115 MB for full installation with Gallery collections Available powered USB port

**NOTE:** SMART Board software is not compatible with versions 10.3.0, 10.3.1 or 10.3.2 of the Mac OS X operating system. To use the handwriting recognition feature, you must have Mac OS X version 10.3.3 or later.

---

## Storage and Operating Specifications

<b>Storage</b>	-40°F to 120°F (-40°C to 50°C) with up to 95% humidity non-condensing
<b>Operation</b>	41°F to 95°F (5°C to 35°C) with up to 80% humidity non-condensing

---

## SMART Order Number

<b>SB660</b>	64" (162.6 cm) diagonal SMART Board interactive whiteboard
--------------	--

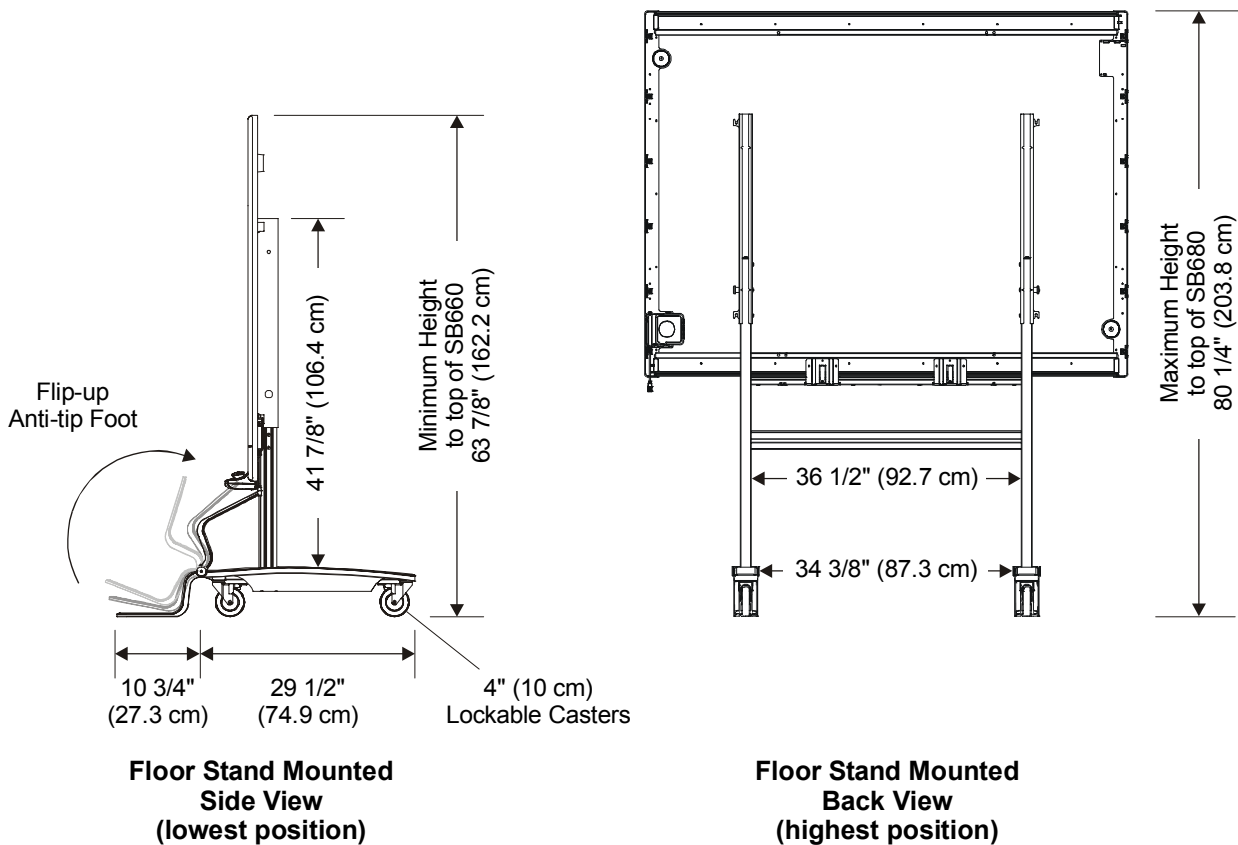
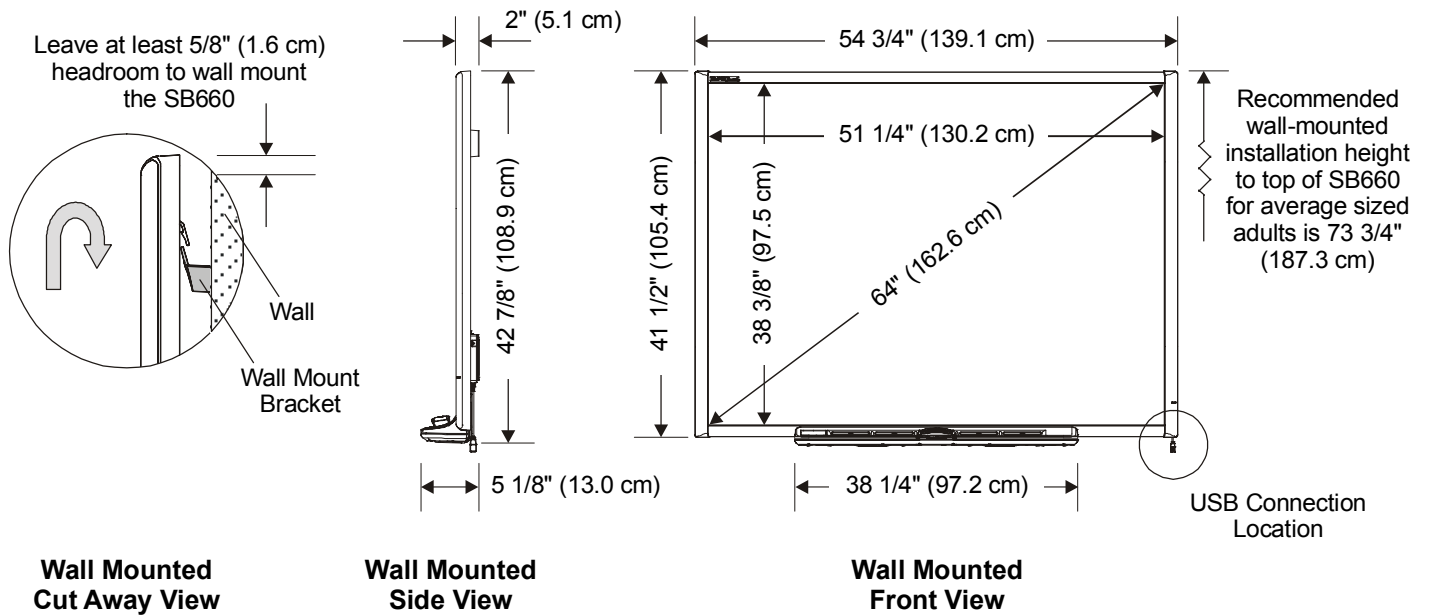
---

## Optional Accessories

<b>CCJ660</b>	Padded cover with handles for the SMART Board 660 interactive whiteboard
<b>FS670</b>	Mobile floor stand with 4" (10.2 cm) lockable casters and flip-up anti-tip feet
<b>HSCJ-660</b>	Hard shipping case for the SMART Board 660 interactive whiteboard and the FS670 floor stand
<b>PMWT-660</b>	Projector wall mount for an NEC WT600 or WT610 projector
<b>RS232-NA</b>	RS232 to USB conversion module that allows a serial connection to the interactive whiteboard as an alternative to USB (Canada and U.S.)
<b>RS232-UK</b>	RS232 to USB conversion module that allows a serial connection to the interactive whiteboard as an alternative to USB (United Kingdom)
<b>SBA-NA</b>	Two 15 watt speakers to mount to the interactive whiteboard or wall (Canada and U.S.)
<b>SBA-UK</b>	Two 15 watt speakers to mount to the interactive whiteboard or wall (United Kingdom)
<b>SYSON6-NA</b>	SystemOn expansion module wakes up the computer and turns on the projector with one button press (Canada and U.S.)
<b>SYSON6-UK</b>	SystemOn expansion module wakes up the computer and turns on the projector with one button press (United Kingdom)
<b>USB-XT</b>	16 1/2' (5.0 m) USB active extension cable
<b>WC6-NA</b>	Wireless Bluetooth™ connection between the SMART Board interactive whiteboard and the computer (Canada and U.S.)
<b>WC6-UK</b>	Wireless Bluetooth connection between the SMART Board interactive whiteboard and the computer (United Kingdom)
<b>WMCM-660</b>	Wall-mounted cabinet for the SMART Board 660 interactive whiteboard
<b>20-00653</b>	Set of four Whisper-tip styluses (black, red, blue and green) and rectangular eraser
<b>STYF-005-00</b>	Set of four Whisper-tip styluses (black, red, blue and green)
<b>93-00507-00</b>	16 1/2' (5.0 m) USB-A to USB-B cable

# SMART Board™ Interactive Whiteboard

## Specifications – Model 660



All dimensions +/- 1/8" (0.3 cm)

