

SMART Board™ Interactive Whiteboard

Specifications – Model 690

Physical Specifications

Size	Interactive Whiteboard	85 3/4" W × 49 1/2" H × 5 1/8" D (217.8 cm × 125.7 cm × 13.0 cm)
	Active Screen Area	82 1/8" W × 46 1/8" H (208.6 cm × 117.2 cm) 94" diagonal (238.8 cm)
Weight	Interactive Whiteboard	48 lb. (21.8 kg)
Shipping Size	Carton	94 3/8" W × 54 1/8" H × 5 1/2" D (239.7 cm × 137.5 cm × 14.0 cm)
Shipping Weight	Carton and Contents	68 lb. (30.8 kg)

All dimensions +/- 1/8" (3.2 mm). All weights +/- 2 lb. (0.9 kg).

Standard Features

Software	SMART Board software, including Notebook™ software. Free software upgrades are available at www.smarttech.com/support/software/index.asp .
Pen Tray	Optical sensors in the pen tray detect when a pen or eraser is lifted from the tray. LEDs show the active tool.
Pens and Eraser	Black, blue, red and green Whisper-tip™ pens and a rectangular eraser
Resolution	Touch resolution is approximately 4000 × 4000
Screen Surface	The hard-coated polyester surface is tear proof, optimized for projection, compatible with dry-erase markers and is easily cleaned with whiteboard cleaner
Digitizing Technology	Analog resistive
Frame Finish	Two-tone gray (approximates Pantone® gray 18-0601) and Ultrasonic Chrome (approximates metallic Pantone 877c)
Wall-Mount Brackets	2 × 32" (81.3 cm) wide, spaced 2" apart, with ten screws and drywall anchors to support the wall-mounted interactive whiteboard
Computer Connection	16' (4.9 m) USB 2.0 cable
Power Requirements	Power is obtained from the computer directly through the USB cable for both Windows® and Macintosh computers. Power consumption is less than 1.5 watts (300 mA at 5V).
Certifications	CSA (Canada/U.S.), CE, CB (TUV)
Warranty	Five-year limited equipment warranty upon registration. See warranty document for details.

NOTE: A digital projector is *not* included with this model of SMART Board interactive whiteboard. To take advantage of all interactive features, you must integrate a digital projector.

SMART Board Software 9.5 Computer Requirements

Windows Computers	Pentium® II 450 MHz processor 128 MB of RAM (256 MB recommended) 136 MB of free hard disk space for minimum installation (511 MB for full installation with Gallery collections) Windows NT® 4.0 (SP6), Windows 98 operating system or later Microsoft Internet Explorer® 6.0 or later Macromedia® Flash® player version 8 NOTE: The AirLiner™ wireless slate requires the Windows 2000 or Windows XP operating system.
Requirements for SMART Video Player	Pentium II 450 MHz processor (700 MHz or faster recommended) Windows 98 operating system or later. Does not run on the Windows NT operating system. Microsoft® DirectX® technology 8.1 or later
Mac Computers	700 MHz processor (1 GHz or faster recommended) 128 MB of RAM (256 MB recommended) Mac OS X versions 10.3.9 and 10.4.x 148 MB of free hard disk space for minimum installation (423 MB for full installation with Gallery collections) Safari™ 1.3.2 or later SMART Board software version 9.5 supports Intel® processors (Universal Binary) NOTE: Previous versions of SMART Board software are compatible with earlier versions of the Mac OS X operating system. To download a previous version of SMART Board software, go to www.smarttech.com/support/software/sb_mac_other.asp .

Storage and Operating Specifications

Storage	-40°F to 122°F (-40°C to 50°C) with up to 95% humidity non-condensing
Operation	41°F to 95°F (5°C to 35°C) with up to 80% humidity non-condensing

SMART Order Number

SB690	94" (238.8 cm) diagonal SMART Board interactive whiteboard
--------------	--

Optional Accessories

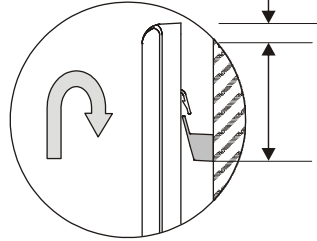
RS232-NA	RS232 to USB conversion module that allows a serial connection to the interactive whiteboard as an alternative to USB (Canada and U.S.)
RS232-UK	RS232 to USB conversion module that allows a serial connection to the interactive whiteboard as an alternative to USB (United Kingdom)
SBA-NA	Two 15 watt speakers to mount to the interactive whiteboard or wall (Canada and U.S.)
SBA-UK	Two 15 watt speakers to mount to the interactive whiteboard or wall (United Kingdom)
SYSON6-NA	SystemOn expansion module wakes up the computer and turns on the projector with one button press (Canada and U.S.)
SYSON6-UK	SystemOn expansion module wakes up the computer and turns on the projector with one button press (United Kingdom)
USB-XT	16 1/2' (5.0 m) USB active extension cable
WC6-NA	Wireless Bluetooth™ Connection between the SMART Board interactive whiteboard and the computer (Canada and U.S.)
WC6-UK	Wireless Bluetooth Connection between the SMART Board interactive whiteboard and the computer (United Kingdom)
20-00653	Set of four Whisper-tip styluses (black, red, blue and green) and rectangular eraser
STYF-005-00	Set of four Whisper-tip styluses (black, red, blue and green)
93-00507-00	16 1/2' (5.0 m) USB-A to USB-B cable

NOTE: No wall-mounting cabinets, shipping cases or bags are available for the model 690 interactive whiteboard. The unit is not compatible with the PMWT projector wall mount or SMART floor or table stands.

SMART Board™ Interactive Whiteboard

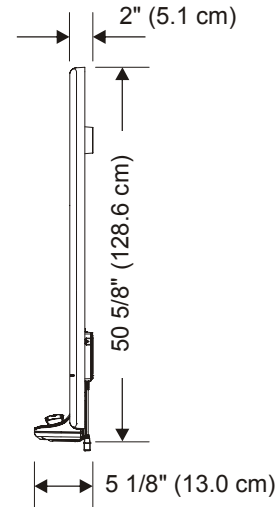
Specifications – Model 690

Leave at least 5/8" (1.6 cm) headroom to wall mount the interactive whiteboard

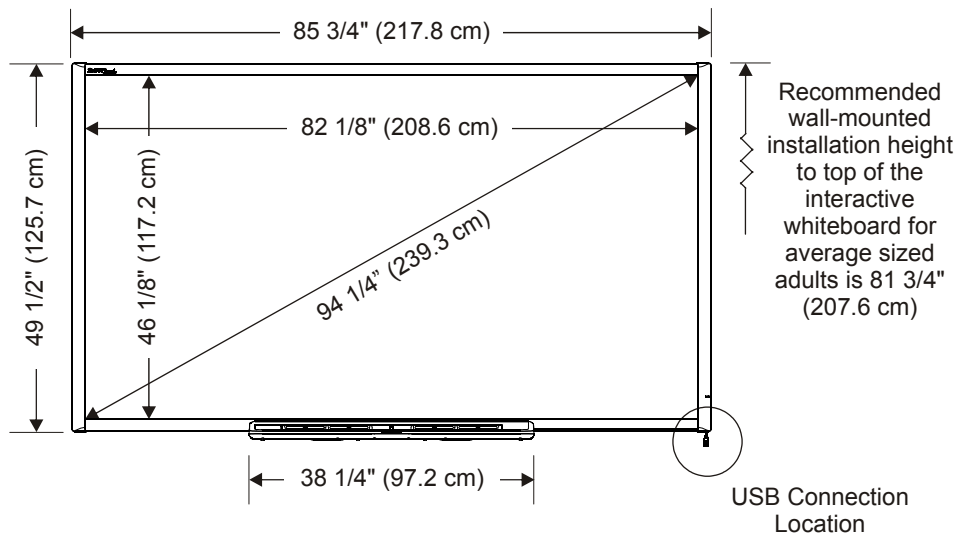


Distance from the bottom of the wall mount bracket to the top of an installed interactive whiteboard is 4 1/4" (10.8 cm)

**Wall-Mounted
Cut Away View**



**Wall-Mounted
Side View**



**Wall-Mounted
Front View**

