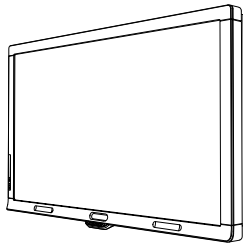


PLEASE THINK BEFORE YOU PRINT



SMART Board™
Interactive Display
Model 8070i
Installation Guide

Extraordinary made simple™

SMART™

Trademark Notice

SMART Board, DVIT, SMART Notebook, SMART Meeting Pro Premium, smarttech and the SMART logo are trademarks of SMART Technologies ULC in the U.S. and/or other countries. Windows is either a registered trademark or trademark of Microsoft Corporation in the U.S. and/or other countries. Mac and Macintosh are trademarks of Apple Inc., registered in the U.S. and other countries. All other third-party product and company names may be the trademarks of their respective owners.

FCC warning

This equipment has been tested and found to comply with the limits for a Class A digital device, pursuant to Part 15 of the FCC Rules. These limits are designed to provide reasonable protection against harmful interference when the equipment is operated in a commercial environment. This equipment generates, uses and can radiate radio frequency energy and, if not installed and used in accordance with the manufacturer's instructions, may cause harmful interference to radio communications. Operation of this equipment in a residential area is likely to cause harmful interference in which case the user will be required to correct the interference at his own expense

Patent list

US5448263; US6141000; US6320597; US6326954; US6337681; US6421042; US6563491; US6674424; US6741267; US6747636; US6760009; US6803906; US6829372; US6919880; US6947032; US6954197; US6972401; US7151533; US7184030; US7236162; US7289113; US7342574; US7379622; US7411575; US7499033; US7532206; US7619617; US7626577; US7643006; US7692625; CA2058219; CA2252302; CA2386094; CA2453873; EP1297488; EP1739528; ES2279823; JP4033582; JP4052498; JP4057200; ZL0181236.0; DE60124549; [Other] patents pending;

Copyright Notice

© 2010 SMART Technologies ULC. All rights reserved. No part of this publication may be reproduced, transmitted, transcribed, stored in a retrieval system or translated into any language in any form by any means without the prior written consent of SMART Technologies ULC. Information in this manual is subject to change without notice and does not represent a commitment on the part of SMART.

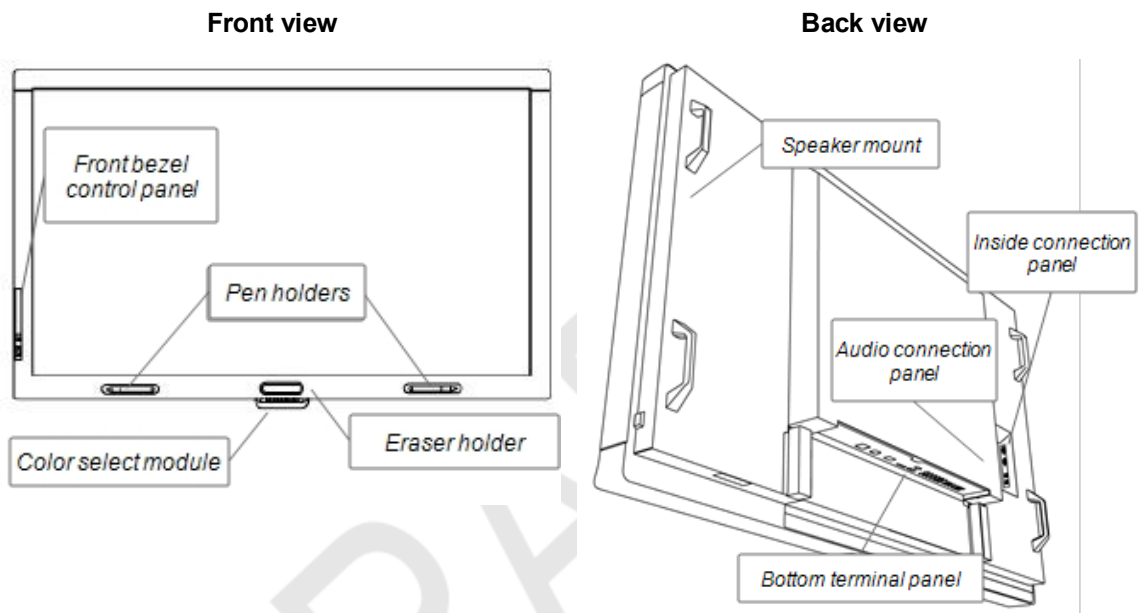
Contents

Installing your interactive display	1
Parts of your interactive display.....	1
Wall-mounting your interactive display.....	1
Installing audio connections.....	5
Cabling instructions for the interactive display.....	5
Making power and room computer connections.....	6
Installing a guest laptop connection.....	7
Connecting external equipment with the bottom terminal panel.....	9
Turning your interactive display on and off.....	10
Installing SMART software.....	10
Hardware environmental compliance	13
Waste Electrical and Electronic Equipment regulations (WEEE directive).....	13
Restriction of Certain Hazardous Substances (RoHS directive).....	13
Batteries.....	13
Packaging.....	14
Covered electronic devices.....	14
China’s Electronic Information Products regulations.....	14
U.S. Consumer Product Safety Improvement Act.....	14
California Air Resources Board – Airborne Toxic Control Measure.....	14
Restriction of Certain Chemicals (REACH directive).....	15
Customer support	17
Online information and support.....	17
Training.....	17
Technical support.....	17
Shipping and repair status.....	17
General inquiries.....	18
Warranty.....	18
Registration.....	18

Installing your interactive display

Parts of your interactive display

Use the following images to identify components of the interactive display.



Wall-mounting your interactive display

Use a team of trained, professional installers equipped with a lifting device to install your interactive display.

WARNING

- Improper installation can result in personal injury or product damage during installation or post-installation.
- The interactive display weighs 262 lb. (119 kg). Ensure your installation area can support the weight of the interactive display.
- Ensure the installation meets local building codes.

CAUTION

Do not allow the weight of the interactive display to rest on the color select module, the bottom bezel or the front of the display because these components are not designed to support product

INSTALLING YOUR INTERACTIVE DISPLAY

weight. Attach other components either while the interactive display is still in its packaging or while the interactive display is suspended from the lifting device to prevent the weight of the interactive display from damaging the color select module.

IMPORTANT

Keep all product packaging after installing the interactive display. The packaging is important to prevent product damage when shipping the interactive display to a new location.

Important mounting considerations for trained installers

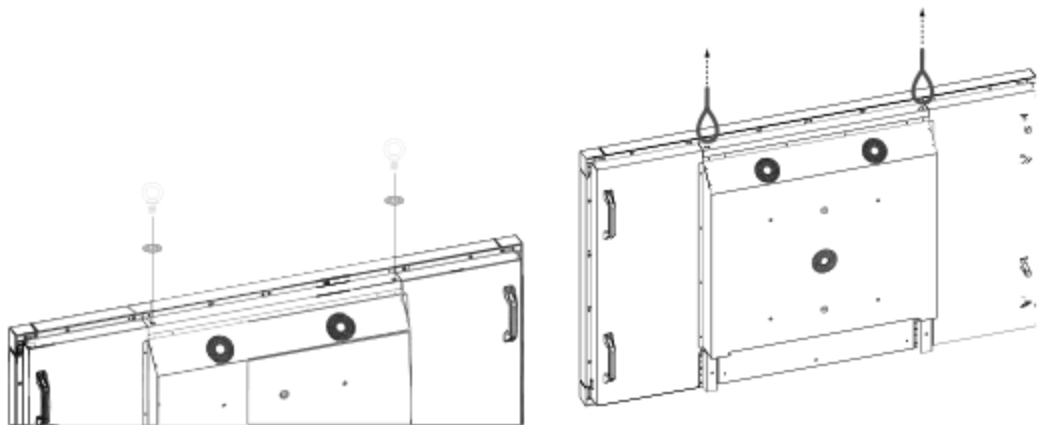
Consider the following when mounting the interactive display on a wall:

- Plan your workflow to include cabling because some cable attachment points might not be accessible post-installation.

IMPORTANT

Speakers must be attached and cabled to the interactive display before installation. Refer to *Installing audio connections* on page 5.

- To wall-mount this interactive display, your installers require a standard VESA® 400 mm × 400 mm mounting plate, not supplied with your interactive display.
- Attach the supplied M12 eyebolts and washers to assist in mounting.



WARNING

- In order to aid in mounting or carrying, a lifting device must be used in conjunction with the attachable eyebolts (M12). Do not attempt to mount or carry the display using your own strength because the display may fall and cause personal injury.
- Use VESA approved mounting hardware. The eyebolts are not post-installation hardware. Remove the eyebolts after installation.

INSTALLING YOUR INTERACTIVE DISPLAY

- Inspect the installation location to ensure that it's strong enough to support the weight of the interactive display. Not all walls are capable of supporting the weight of the interactive display.
- Use M8 screws to fasten the wall bracket. The length of the screws must be 14-15 mm plus the thickness of the bracket and the washer. If using screws longer than 14-15 mm, check the depth of the hole.
- Recommended fasten force is 1125-1375 N·cm
- To ensure safe installation, use two or more brackets to mount the interactive display. Mount the interactive display to at least two points on the installation location.
- Refer to the instructions supplied with the mounting equipment for detailed information.

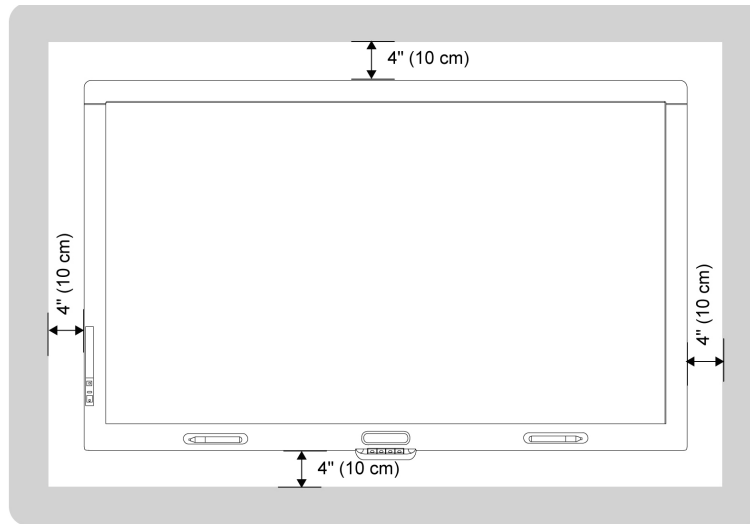
Selecting the mounting location

Consider the following when you select a location for your interactive display.

- If you want to install the interactive display on a wall, the wall must be strong enough to support the interactive display and the mounting accessories. The interactive display weighs 262 lb. (119 kg).
- Do not install the interactive display in locations where a door or gate can hit it.
- Do not install the interactive display in areas where it will be subjected to strong vibrations and dust.
- Do not install the interactive display near where the main power supply enters the building.
- Do not install the interactive display where people can easily grab and hang onto it or the mounting apparatus.
- Allow adequate ventilation or provide air conditioning around the interactive display, so that heat can properly dissipate away from the unit and mounting apparatus.

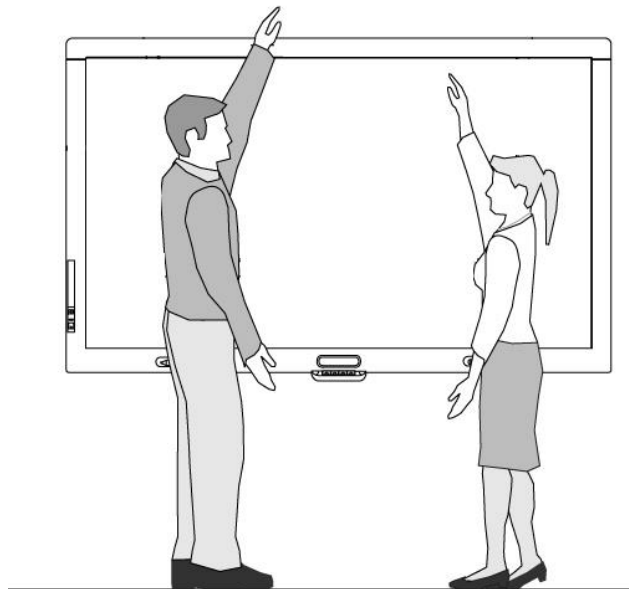
INSTALLING YOUR INTERACTIVE DISPLAY

- When mounting the interactive display in a recessed area, such as in a wall, leave at least 4" (10 cm) of space between the interactive display and the recess walls to allow proper ventilation.



Recommended mounting height

Ensure your interactive display is mounted at an appropriate height for all users.



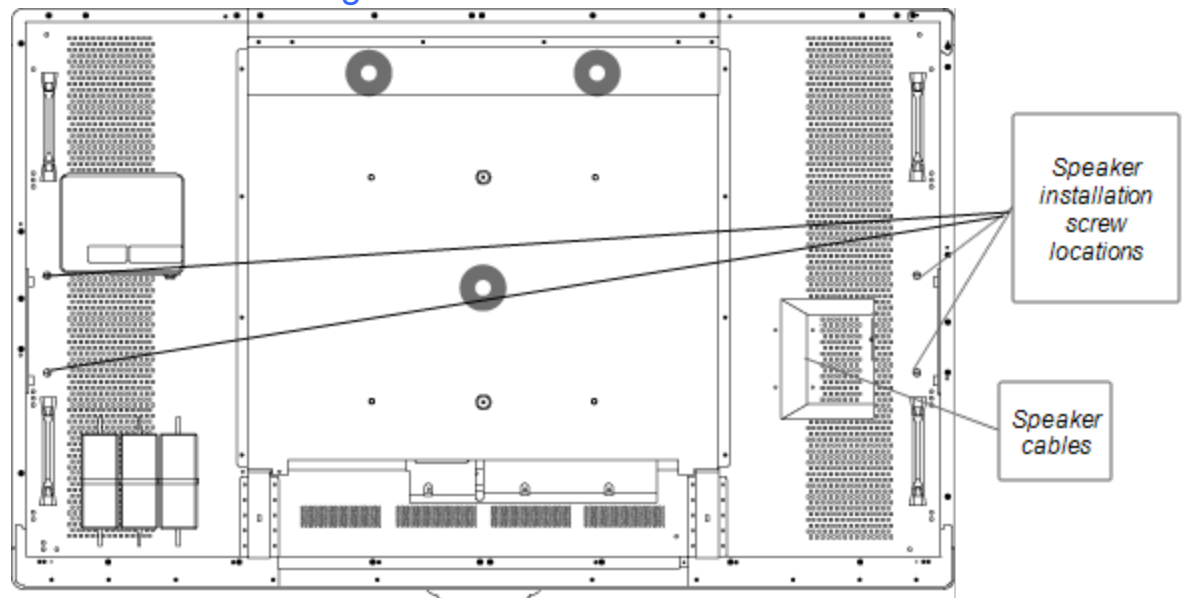
Installing audio connections

Your interactive display comes with two 15 W speakers.

IMPORTANT

Install the speakers on your interactive display before installing the interactive display on the wall. Install the speakers while the interactive display is still in its product packaging or when suspended from a lifting device.

Audio connection diagram



To make speaker connections

1. Install the supplied speakers to the side of the interactive display with the supplied screws.
2. Connect the speaker cables to the speaker connections.

Cabling instructions for the interactive display

Your interactive display requires both power and computer connections. The computer connections consist of:

- A room computer connected to both the USB #1 and VGA connectors. This will be the default computer for the interactive display.

INSTALLING YOUR INTERACTIVE DISPLAY

- A guest laptop #1 connection connected to the USB #2 and RGB/HV connectors. The cabling can be installed running to a remote location, such as a conference table. This cabling is optional.

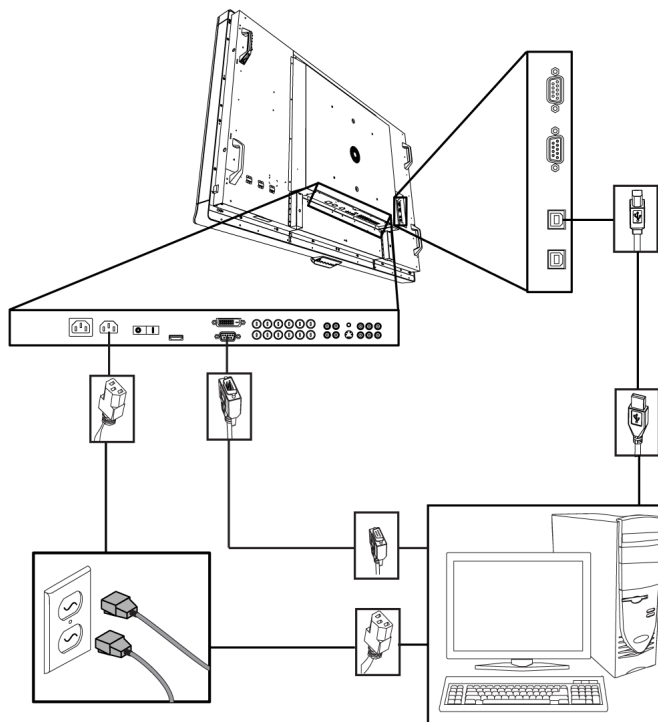
A wire bundle with these two connectors is not included with your interactive display, but available from your SMART reseller. Refer to the specifications document for ordering information.

You can switch between room computer and the guest laptop #1 connection with the input button in the lower left corner of the interactive display or with the input button on the infra-red remote control.

Making power and room computer connections

The room computer is the primary computer for the interactive display. Connect a VGA and a USB cable from this computer to the VGA connector and #1 USB connector on your interactive display.

Room computer connection diagram



To make power and room computer connections

1. Connect the supplied VGA cable from your computer to the VGA connection on the terminal panel.

IMPORTANT

The room computer must be connected to the interactive display with a VGA connection. Connecting with other inputs will not result in touch control.

2. Connect the supplied USB cable from the USB #1 connection on the inside connection panel of the interactive display to a USB 2.0 connection on the computer.

IMPORTANT

Do not connect the room computer to the USB #2 connector on the interactive display. If you do, you won't have touch control for the room computer.

3. Connect the supplied power cable from the AC IN connector in the interactive display bottom terminal panel to the AC power outlet.
4. Connect the power cable from your computer to the wall outlet.
5. Turn on your interactive display.
6. With the infra-red remote control or the input button on the lower left corner of the interactive display, set input source to VGA.
7. Turn on your computer.

Installing a guest laptop connection

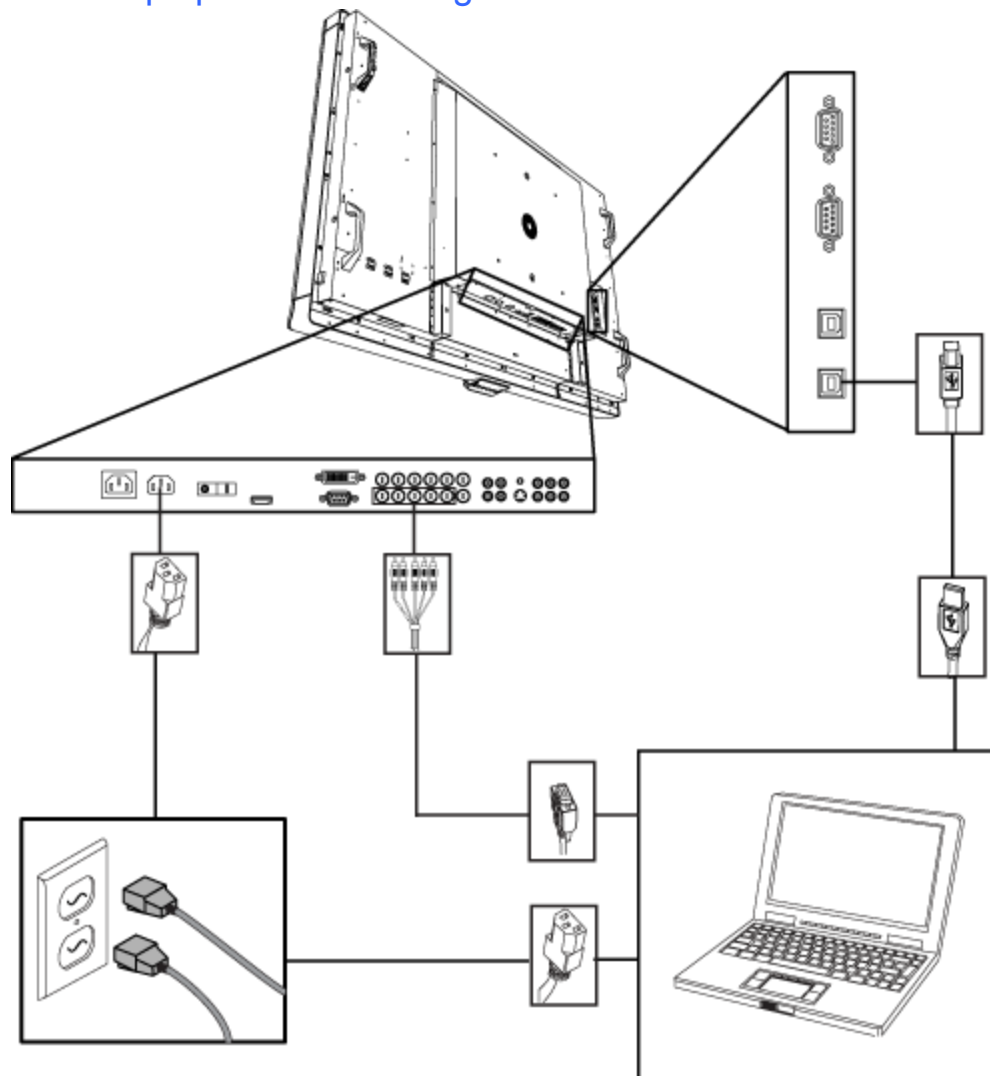
You can install cabling from the interactive display that allows a user to connect a laptop beside the interactive display. By changing input source on the interactive display, a presenter has touch control over the laptop's desktop.

You may install the guest laptop #1 connection with a USB cable and a VGA to RGB/HV cable. A wire bundle that includes these two connectors is available from your SMART reseller. Refer to the interactive display specifications document for ordering information.

WARNING

Ensure that any cables extending across the floor to your SMART product are properly bundled and marked to avoid a trip hazard.

Guest laptop connection diagram



■ To install a guest laptop connection

TIP

A wire bundle that includes a USB cable and a RGB/HV to VGA cable is available from your SMART reseller.

1. Connect a USB cable from the #2 USB receptacle on the inside connection panel of the interactive display and run the cable to the laptop location, such as beside the interactive display or a conference table.
2. Connect a 5-BNC to VGA video cable to the RGBHV interactive display bottom terminal panel, and then run the VGA end of the cable to the remote connection location as above.
3. Bundle and cover the cables as appropriate.

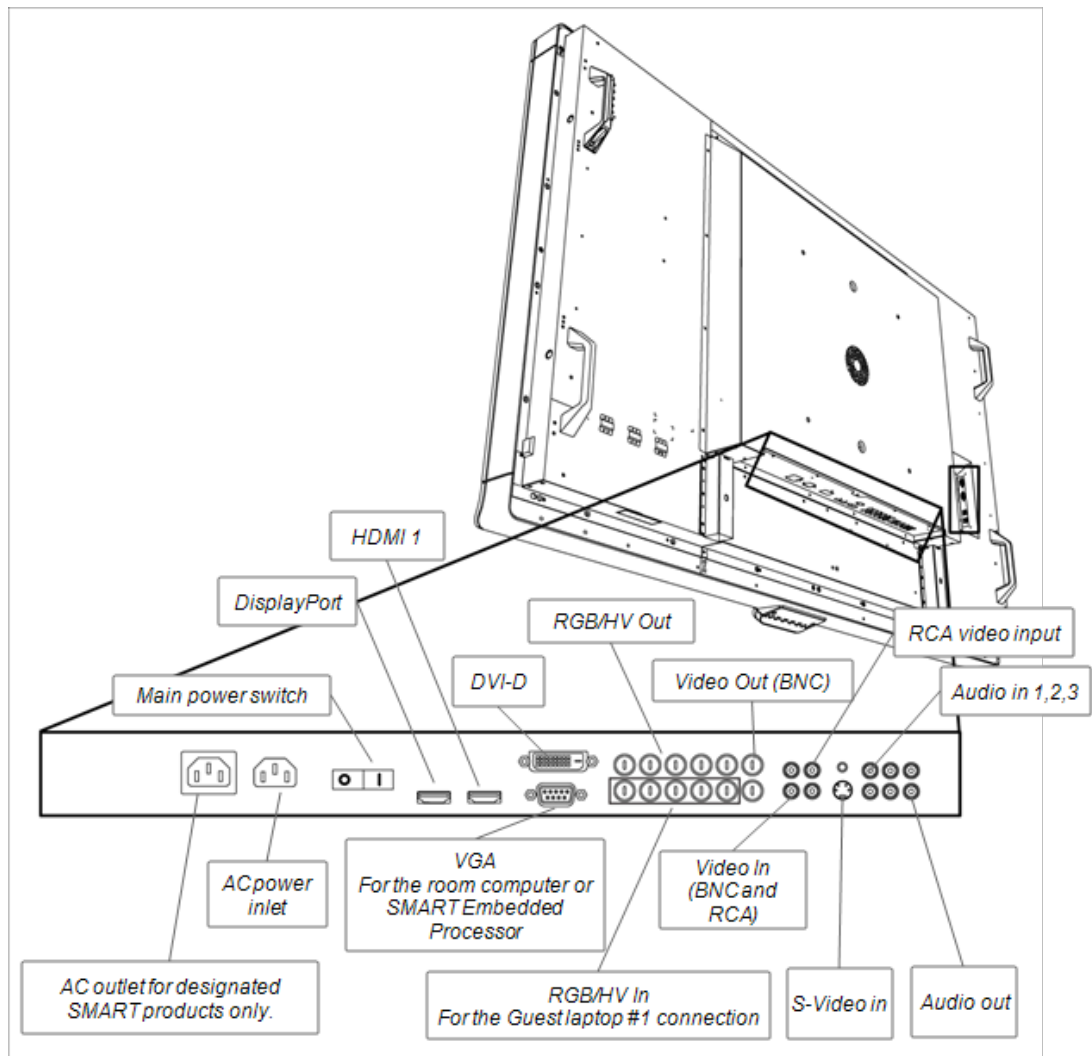
i NOTE

When using the Guest laptop connection, connecting your laptop to a power outlet is optional.

Connecting external equipment with the bottom terminal panel

The interactive display terminal panels enable you to connect external equipment to the interactive display.

Bottom Terminal Panel



To connect external equipment

1. Turn off your interactive display.
2. Ensure your external equipment is connected to its power source and is turned off.

3. Connect the interactive display to the external equipment with an approved cable, ideally supplied with the external equipment.
4. Turn on the interactive display and the external equipment.

CAUTION

The bottom terminal panel has an AC power outlet for a SMART product to be released in 2011. To prevent hardware damage to the interactive display, do not connect other items to this power outlet.

Turning your interactive display on and off

To turn on the interactive display

1. Turn on the computer.
2. Press the main power switch on the bottom terminal panel to turn on the interactive display. For more information about the bottom terminal panel, see *Connecting external equipment with the bottom terminal panel* on previous page.
3. Press the on switch on the lower left corner of your interactive display.

Your computer's logon screen or desktop appears on the screen.

To turn off the interactive display

1. Shut down your computer.
2. Turn off the interactive display with the remote.

OR

Press the on/off switch on the lower left corner of the interactive display.

NOTE

You can turn off the main power switch on the bottom terminal panel if it is accessible. This is not recommended as the next user may not know this has occurred, and will unsuccessfully attempt to turn on the interactive display with the wireless remote control or front bezel button.

Installing SMART software

To use the interactive display, you need to install software on the interactive display's computer.

This software includes:

INSTALLING YOUR INTERACTIVE DISPLAY

- SMART Product Drivers, which enables touch interactivity and digital ink.
- SMART Notebook collaborative learning software from the supplied installation CD.

OR

SMART Meeting Pro collaboration software from www.smarttech.com/downloads.

Installing SMART Notebook on your computer

The SMART Notebook CD includes two components:

- SMART Product Drivers
- SMART Notebook

An Internet connection is recommended during installation to get a software activation key and download software updates.

For computer requirements, see the SMART Notebook release notes (document [126571](#)).

To install SMART Notebook and SMART Product Drivers

1. Place the supplied installation CD in the computer's CD tray.

The installation wizard appears.

2. Follow the on-screen instructions. You will be prompted to enter your product activation key. You must register your interactive display online using the serial number found underneath the color selection module.
3. Click the SMART Board icon in the notification area (Windows computers) or the Dock (Mac computers), and then select **Check for Updates**.

The *SMART Product Update* window appears.

4. Follow the onscreen instructions to update to the latest versions of both SMART Notebook and SMART Product Drivers.

Installing SMART Meeting Pro on your computer

The SMART Meeting Pro software download includes two components:

- SMART Product Drivers
- SMART Meeting Pro

This software requires a computer with a Windows operating system. For other computer requirements, see the SMART Meeting Pro release notes (document [141332](#)).

Your product ships with an activation key for SMART Meeting Pro. Please retain this activation key for your records.

■ **To download SMART Meeting Pro**

1. Go to www.smarttech.com/downloads.
2. Click the SMART Meeting Pro link.
3. Click the **Download** link.
4. Follow the onscreen instructions to save the executable file to your desktop.

■ **To install SMART Meeting Pro and SMART Product Drivers**

1. Double-click the executable file.
2. Follow the on-screen instructions. You will be prompted to enter your product activation key.
3. Click the SMART Board icon in the notification area , and then select Check for Updates.
The SMART Product Update window appears.
4. Follow the onscreen instructions to update to the latest versions of both SMART Meeting Pro and SMART Product Drivers.

Your activation key is included in the product packaging.

Appendix A

Hardware environmental compliance

SMART Technologies supports global efforts to ensure that electronic equipment is manufactured, sold and disposed of in a safe and environmentally friendly manner.

Waste Electrical and Electronic Equipment regulations (WEEE directive)

Waste Electrical and Electronic Equipment regulations apply to all electrical and electronic equipment sold within the European Union.

When you dispose of any electrical or electronic equipment, including SMART Technologies products, we strongly encourage you to properly recycle the electronic product when it has reached end of its life. If you require further information, please contact your reseller or SMART Technologies for information on which recycling agency to contact.

Restriction of Certain Hazardous Substances (RoHS directive)

This product meets the requirements of the European Union's Restriction of Certain Hazardous Substances (RoHS) directive 2002/95/EC.

Consequently, this product also complies with other regulations that have arisen in various geographical areas, and that reference the European Union's RoHS directive.

Batteries

Batteries are regulated in many countries. Check with your reseller to find out how to recycle used batteries.

APPENDIX A

Hardware environmental compliance

There are special regulations that must be met when shipping a product that has a lithium ion battery packaged with the product or shipping a lithium ion battery. When returning a SMART Technologies product which contains a lithium ion battery or returning a lithium ion battery, call SMART Technologies RMA for information on these special shipping regulations:

- 1.866.518.6791, Option 4 (U.S./Canada)
- 1.403.228.5940 (all other countries)

Packaging

Many countries have regulations restricting the use of certain heavy metals in product packaging. The packaging used by SMART Technologies to ship products complies with applicable packaging laws.

Covered electronic devices

Many U.S. states classify monitors as covered electronic devices and regulate their disposal. Applicable SMART Technologies products meet the requirements of the covered electronic devices regulations.

China's Electronic Information Products regulations

China regulates products that are classified as EIP (Electronic Information Products). SMART Technologies products fall under this classification and meet the requirements for China's EIP regulations.

U.S. Consumer Product Safety Improvement Act

The United States has enacted the *Consumer Product Safety Improvement Act* which limits the lead (Pb) content in products used by children. SMART Technologies is committed to complying with this initiative.

California Air Resources Board – Airborne Toxic Control Measure

California has enacted a law to restrict the emissions of formaldehyde from composite wood products. The SMART Technologies products that contain composite wood products are compliant to this regulation.

APPENDIX A

Hardware environmental compliance

Restriction of Certain Chemicals (REACH directive)

The European Union has enacted the REACH directive which restricts the use of certain chemicals in products. SMART Technologies is committed to complying with this initiative.

DRAFT

Appendix B

Customer support

Online information and support

Visit www.smarttech.com/support to view and download user's guides, how-to and troubleshooting articles, software and more.

Training

Visit www.smarttech.com/trainingcenter for training materials and information about our training services.

Technical support

If you experience difficulty with your SMART product, please contact your local reseller before contacting SMART Support. Your local reseller can resolve most issues without delay.

i NOTE

To locate your local reseller, visit www.smarttech.com/wheretobuy.

All SMART products include online, telephone, fax and e-mail support:

Online	www.smarttech.com/contactsupport
Telephone	+1.403.228.5940 or Toll Free 1.866.518.6791 (U.S./Canada) (Monday to Friday, 5 a.m. – 6 p.m. Mountain Time)
Fax	+1.403.806.1256
E-mail	support@smarttech.com

Shipping and repair status

Contact SMART's Return of Merchandise Authorization (RMA) group, Option 4, +1.866.518.6791, for shipping damage, missing part and repair status issues.

APPENDIX B

Customer support

General inquiries

Address SMART Technologies
3636 Research Road NW
Calgary, AB T2L 1Y1
CANADA

Switchboard +1.403.228.5940 or
Toll Free 1.866.518.6791 (U.S./Canada)

Fax +1.403.228.2500

E-mail info@smarttech.com

Warranty

Product warranty is governed by the terms and conditions of SMART's "Limited Equipment Warranty" that shipped with the SMART product at the time of purchase.

Registration

To help us serve you, register online at www.smarttech.com/registration.